

Davit



- ◆ **Light** 18kg (D200-80). Manufactured from aluminium.
- ◆ **Safe** Both the G.Winch and G.Saver II can be mounted in an ergonomic position on the same side of the mast, keeping the top operator away from the edge.
- ◆ **Smart** Clever cable routing keeps rope away from the area of operation, reducing risk.
- ◆ **Adaptable** Up to 760mm reach.
- ◆ **Portable** Compact and easy to carry.
- ◆ **Quick** Simple assembly, no tools required.
- ◆ **Reliable** Manufactured in the UK rapid distribution and fast spares response.

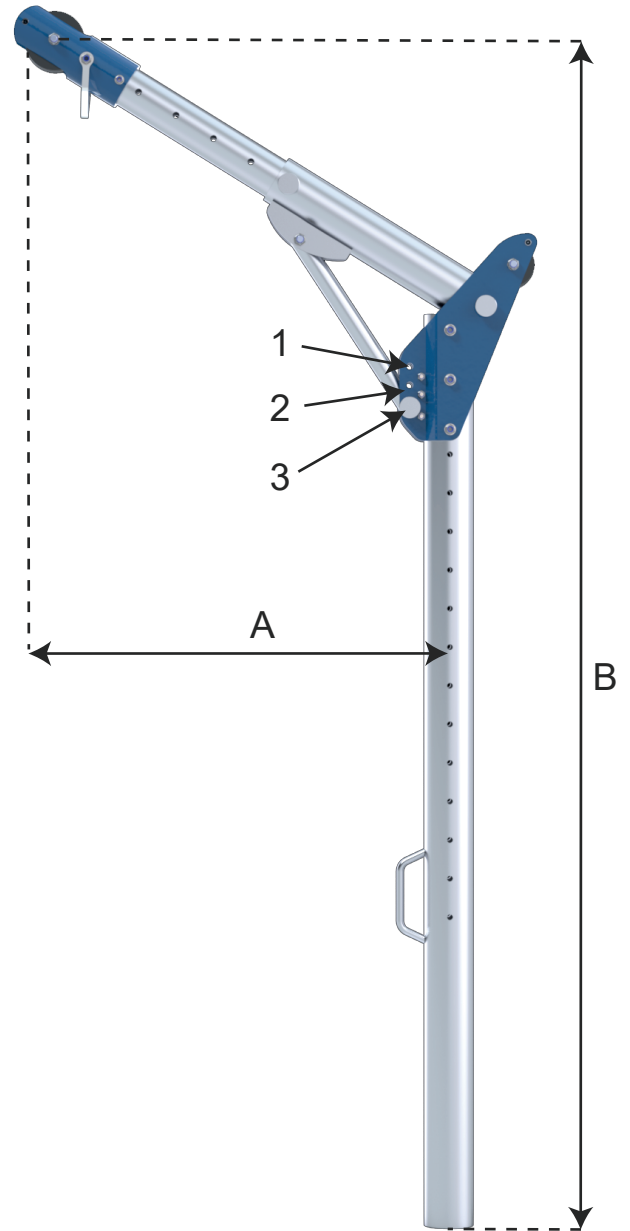
The **G.Davit** is a lightweight EN795 + TS16415 anchorage device for confined space access and working at height situations, for temporary or permanent access. It may be used as an anchor by more than one person simultaneously, providing the MWL is not exceeded.

The product has a maximum working load (MWL) of **200kg** for personnel, and **250kg** for loads.

**NEW PRODUCT
2018**

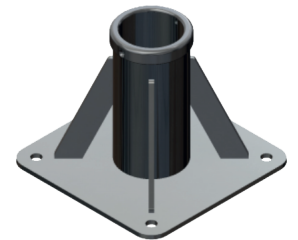
Personnel MWL	200kg
Loads MWL	250kg

Item Code	Strut Setting	Reach Setting	Dimension (mm)	
			A	B
D200-60	1	Shortest	280	2100
		Longest	415	2280
	2	Shortest	355	2035
		Longest	520	2190
	3	Shortest	415	1955
		Longest	610	2070
D200-80	1	Shortest	350	2160
		Longest	550	2410
	2	Shortest	430	2090
		Longest	665	2300
	3	Shortest	490	2005
		Longest	760	2155



Sockets & Accessories*

- ◆ Sockets
- ◆ Fall Arresters (G.Stop / G.Saver II)
- ◆ G.Winch
- ◆ Mounting brackets



* sold separately

EN795

TS16415

