



The Fork Mounted Jib is a fixed length jib which mounts onto the forks of the fork truck. The ideal attachment for lifting and conveying loads which are not suitable for, or do not require palletising.

Supplied with hook and shackle which can be moved to any of the four suitable lifting positions

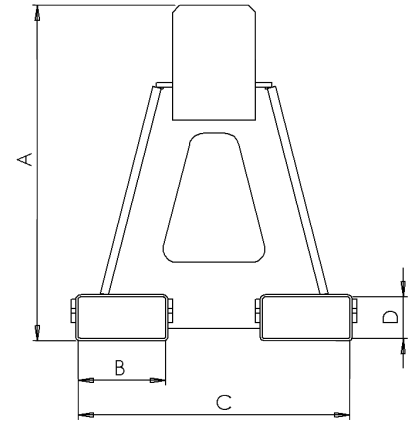
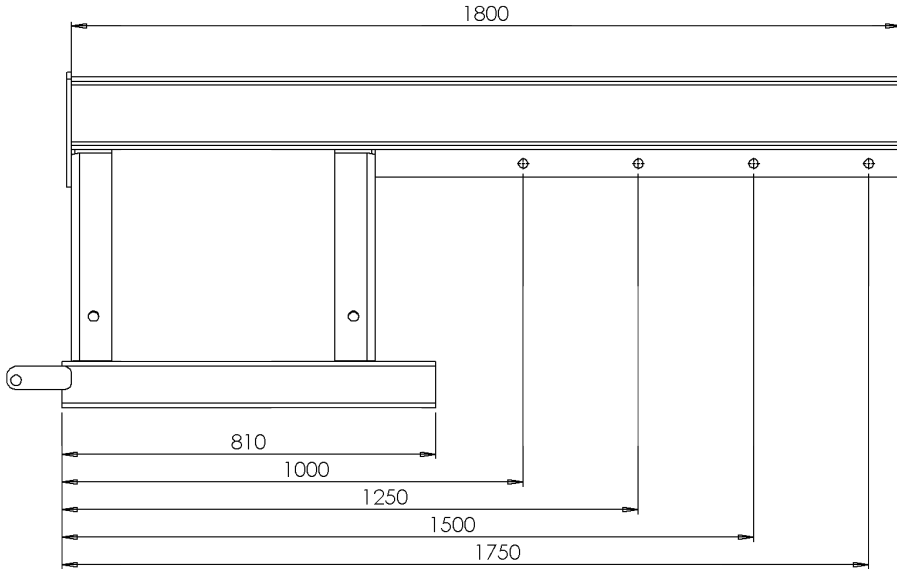
Model Ref	Minimum Truck Capacity (kg)	Lifting Capacity (kg) at Load Centre (mm)			
		1000	1250	1500	1750
500-0.8	1000	500	380	310	230
500-1.0	1300	630	470	380	280
500-1.3	1500	680	500	450	380
500-1.8	2000	1100	900	720	580
500-2.2	2500	1400	1100	1000	850
500-2.7	3000	1450	1200	1100	900
500-3.1	3500	1900	1500	1200	1000
500-3.5	4000	2000	1600	1300	1100
500-4.4	5000	2700	2200	1850	1400

Features & Benefits

- Raised hook position for improved visibility whilst keeping hook off the ground when left standing
- Jib rated to suit the capacity of the lift truck, which helps to reduce wear & tear and possible overloading
- Multiple hook positions for flexible load handling whilst reducing handling costs
- Long jib arm helps reach otherwise inaccessible places
- Heel retaining pins ensures jib is safely secured to the forklift forks
- CE marked and supplied with certificate of conformity for health & safety regulations



Jib Dimensions



Model Ref	"A" (mm)	"B" (mm)	"C" (mm)	"D" (mm)	Weight (kg)
500-0.8	730	140	500	60	108
500-1.0	730	140	500	60	108
500-1.3	730	140	500	60	108
500-1.8	730	140	500	60	108
500-2.2	728	140	500	60	136
500-2.7	728	180	580	80	136
500-3.1	728	180	580	80	136
500-3.5	728	180	580	80	136
500-4.4	728	180	580	80	136

N.B: Bowl of hook hangs 70mm above the fork blade

